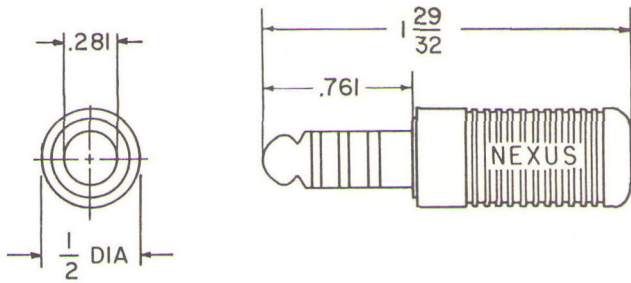
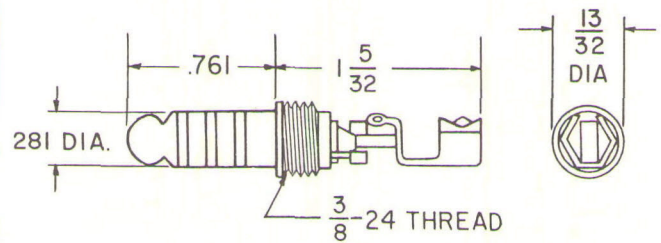
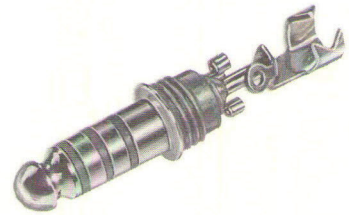


# Commercial Telephone Plugs / Four Conductor



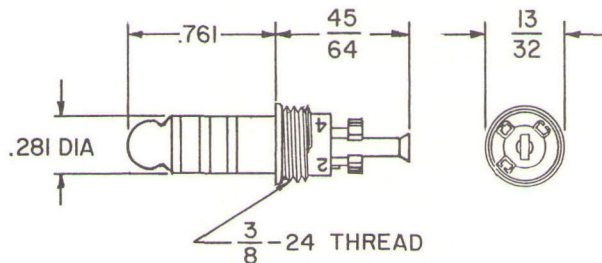
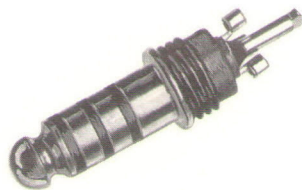
**TP-120  
FOUR CONDUCTOR TELEPHONE PLUG**

Mates with NEXUS Series TJ-120 and TJ-102 jacks and jack TJ-101. One piece nickel plated brass contacts are integrally molded into plastic body.



**TP-120-7  
FOUR CONDUCTOR TELEPHONE PLUG**

Mates with NEXUS Series TJ-120 and TJ-102 jacks and jack TJ-101. For custom molding directly to cable. Same as TP-120 but without plastic shell.



**TP-120-5  
FOUR CONDUCTOR TELEPHONE PLUG**

Mates with NEXUS Series TJ -120 and TJ -102 jacks and jack TJ -101. For custom molding directly to cable. Same as TP-120-7 but strain relief clip omitted.

## NOTES AND INFORMATION

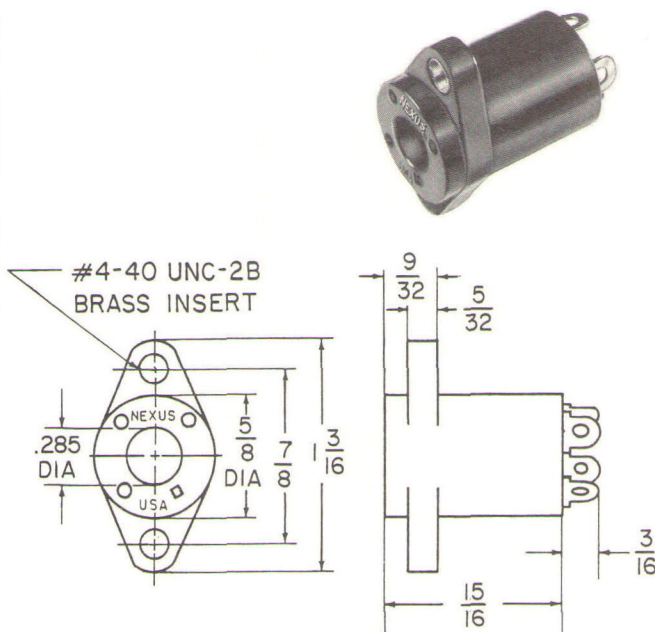
- Standard plugs and jacks are available for prompt shipment.
- Suggested wiring sequences for telephone plugs and jacks are as follows:

For binaural headsets, wire the connector  
 Contact No. 1.....Microphone, high  
 Contact No. 2.....Left earphone  
 Contact No. 3.....Microphone, low  
 Contact No. 4.....Right earphone  
 Contact No. 5.....Earphones, low

For monaural headsets, wire the connector  
 Contact No. 1.....Microphone, high  
 Contact No. 2.....Earphones, high  
 Contact No. 3.....Microphone, low  
 Contact No. 4.....Earphones, low

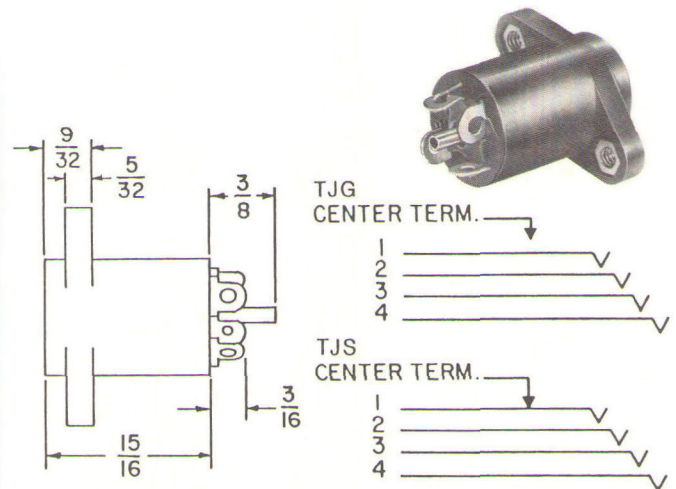
NEXUS® Trademark of NEXUS, Incorporated,  
 Stamford, Connecticut  
 Copyright 1989

# Commercial Telephone Jacks / Four Conductor



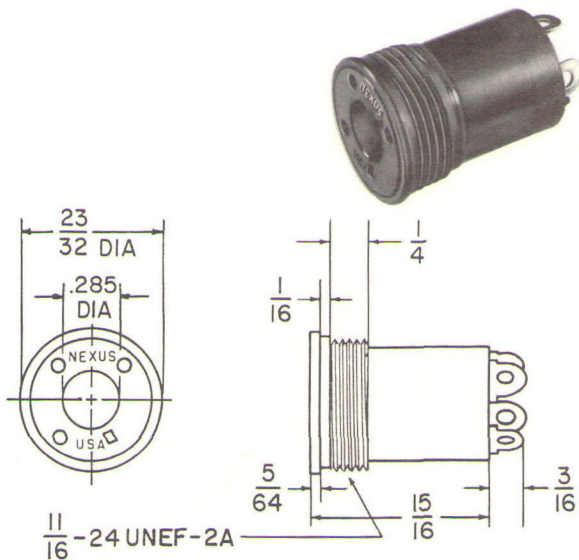
## TJ-120 FLANGED REAR-MOUNTED JACK

Mates with NEXUS Series TP-120 plugs and plugs TP-101 and TP-102. Nickel-plated beryllium contacts are anchored in a phenolic body.



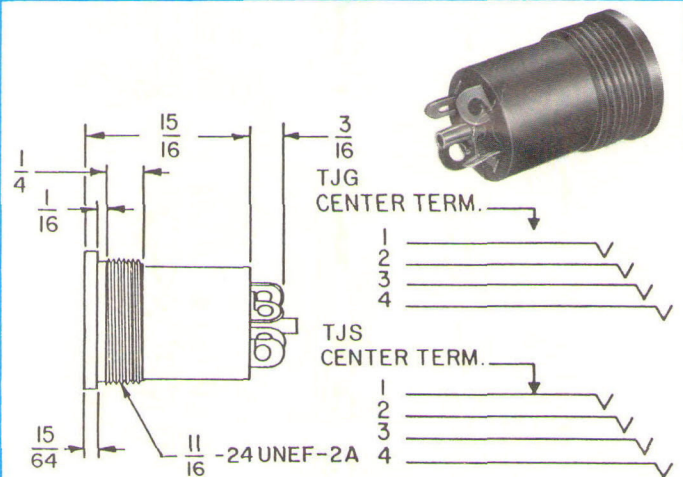
## TJK-120 AND TJS-120 FLANGED REAR-MOUNTED JACKS WITH SWITCHES

Mates with NEXUS Series TP-120 plugs and plugs TP-101 and TP-102. A fifth contact has been added to the TJ-120 design in a normally open circuit with the No. 1 contact to make the TJK-120. Insertion of a four conductor plug closes the No. 1-5 contact circuit. The TJS-120 is the same as TJK-120 except the fifth, or switching contact is normally in a closed circuit with the No. 1 contact. Insertion of a four conductor plug opens the No. 1-5 contact circuit.



## TJT-120 THREADED FRONT-MOUNTED JACK

Mates with NEXUS Series TP-120 plugs and plugs TP-101 and TP-102. Same material and construction as the TJ-120. Jack housing is threaded for front mounting by screwing into threaded mounting hole or by inserting into front of panel and securing with nut and lockwasher from behind.



## TJGT-120 AND TJST-120 THREADED FRONT-MOUNTED JACK WITH SWITCHES

Mates with NEXUS Series 120 plugs and plugs TP-101 and TP-102. A fifth contact has been added to the TJT-120 design in a normally open circuit with the No. 1 contact to make the TJGT-120. Insertion of a four conductor plug closes the No. 1-5 contact circuit. The TJST-120 is the same as TJGT-120 except the fifth or switching contact is in a normally closed circuit with the No. 1 contact. Insertion of a four conductor plug opens the No. 1-5 contact circuit.